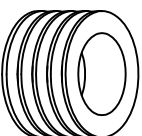
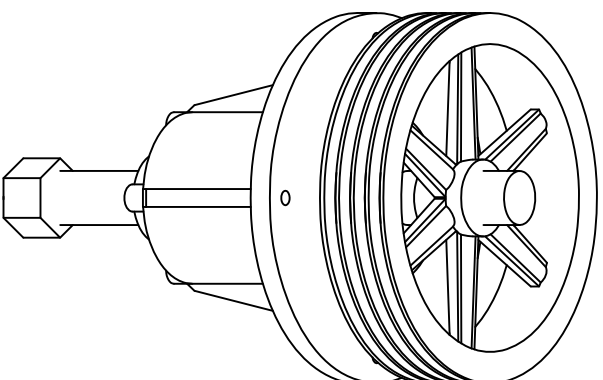


V-BELT DRIVE AND SHAFT DATA															
MODEL	P	L	B	AD	E	C	H	A	D	G	F	T	S-K	V-BEL	
V4	305	390	43	225	76	168	50	200	28	25	8	15	4-12.5	2-B	
V5	350	450	45	305	78	173	55	225	34	30	8	15	4-12.5	2-B	
V6	456	490	67	352	105	201	60	300	38	34	8	15	4-14	3B	
V8	458	565	85	420	120	213	60	390	50	45	12	15	4-16	4B	
V10	608	700	91	490	135	310	62	450	50	45	12	15	4-16	4B	
V12	660	730	111	490	145	310	62	450	60	55	12	15	4-16	5B	
V14	660	750	131	490	156	313	62	450	75	67.5	20	15	6-18	6B	
V16	660	760	131	490	156	313	62	450	75	67.5	20	15	6-18	6B	
TUPHUONGVN CO.,LTD													DATE	DISIGN	TQV



PROJECT :  
Other

MODEL:

TPV

TITLE:

Agitator

APR : TP/VN

CK : TQV

DWG:

TUPHUONGVN CO.,LTD.

DWG. NO. : 01

SCALE : mm

UNIT : all

SHEET NO. 01

TOTAL : TTD

DATE : 2011